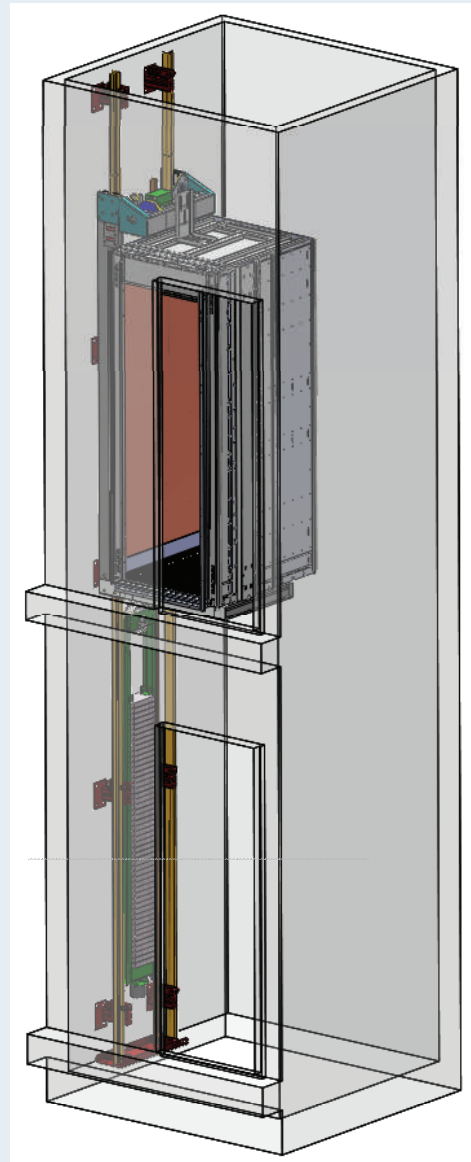
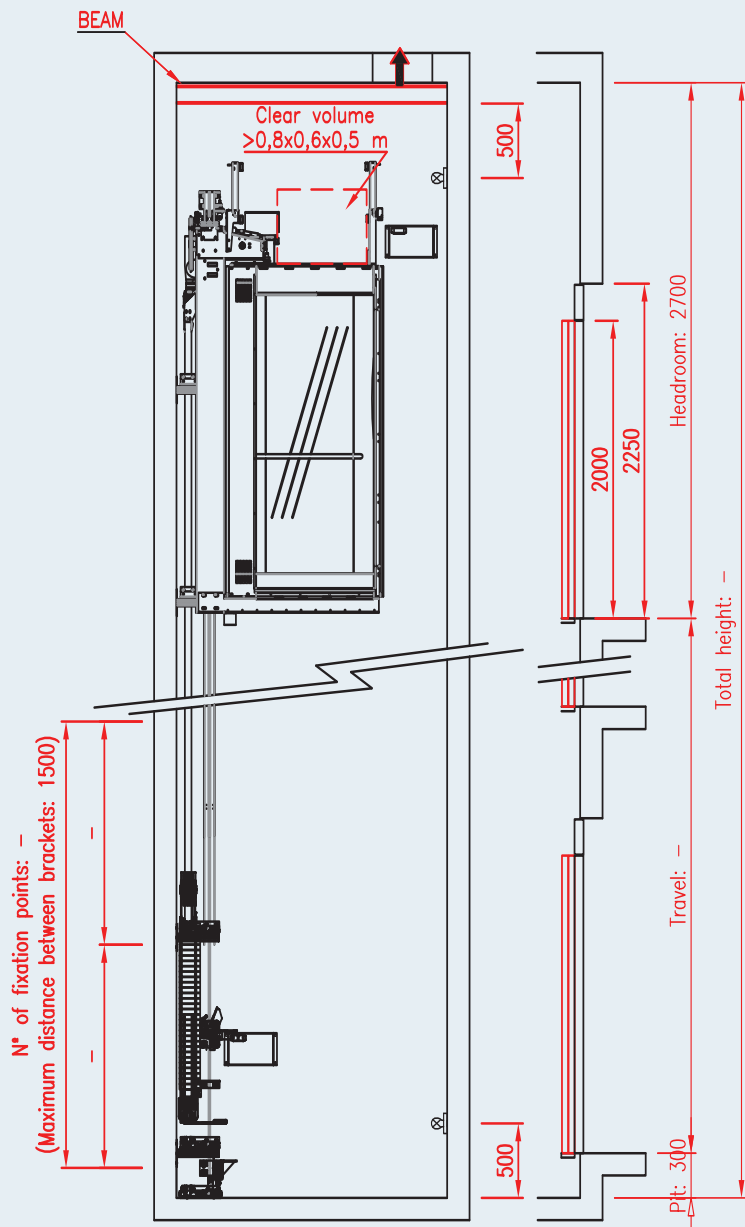


SHAFT DIMENSIONS

EC TYPE - EXAMINATION



SWALLOW HOUSE
 UNIT 5 CENTRAL PLACE
 LONDON SE25 4PR

TEL: 020 8654 6938
 FAX: 020 8654 5935

www.swallowlifts.co.uk
 Email: emma.tivey@swallowlifts.co.uk

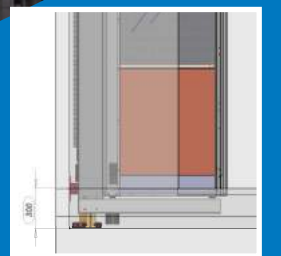
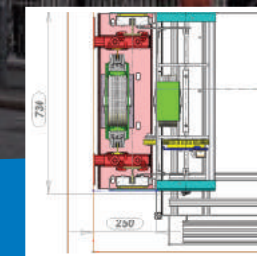
Call us today
 020 8654 6938

SWALLOW LIFTS



Innovation
 Technology
 Small lifts
 in existing
 buildings

Supaflight Micro **GRL**

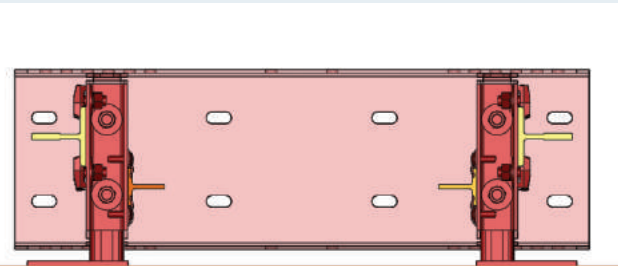


Building and installing the best lift products available today

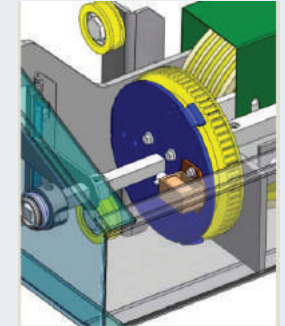
SPECIFICATIONS - Supaflight MicroGRL

- Largest lift in the smallest space
- Low headroom 2700 mm
- Reduced pit 300mm
- 3 Phase 420 volt and single phase 220 volt options
- Gearless traction - superior quality and performance
- Speed 1.0 m/s
- Low power consumption
- No motor room required
- Custom car finishing

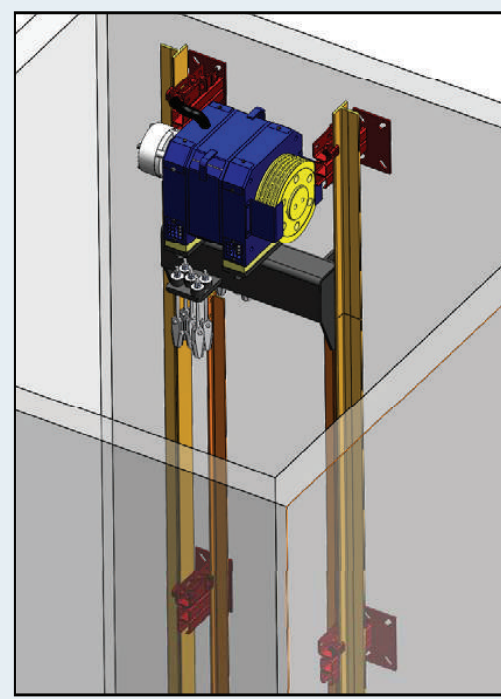
Standards
 EN81 - 1:1998
 EN81 - 1:2001/A2
 EN81 - 21:2009
 EC EXAMINATION
 EN81 - 1:1998. ITEMS
 9.1.2A. 9.1.2.1



Unique guide profile maximising shaft space



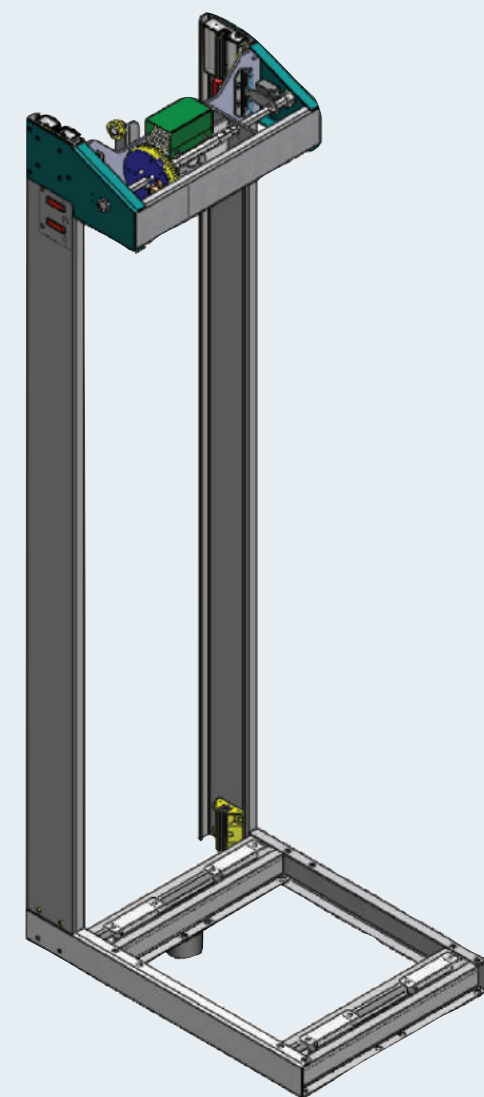
Toothed safety gear system



Gear in shaft. No separate machine room



Controller in door frame



Low profile sling for reduced pit

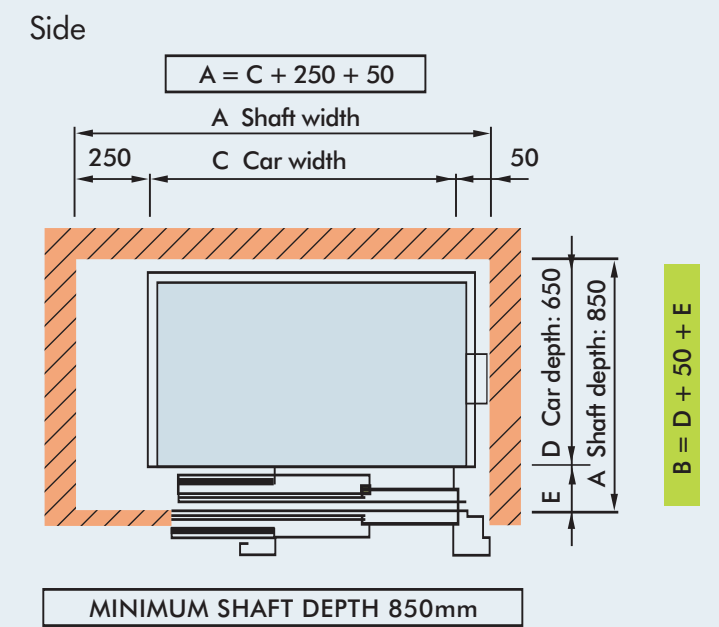
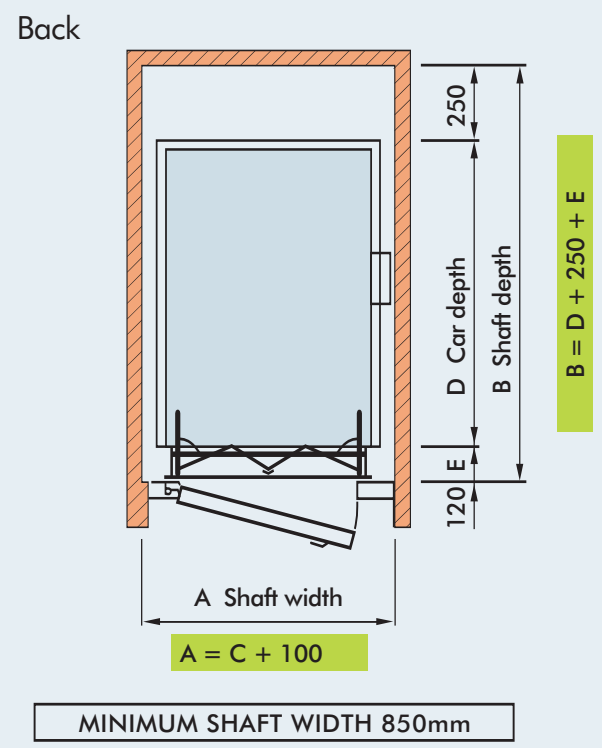
SHAFT DIMENSIONS



KEY

Shaft	Interior Car	Act.	S
A x B (mm)	C x D (mm)	2:1	1M/S

Headroom: 3400mm Pit: 1100mm/300mm



Headroom: 2700mm Pit: 1100mm/300mm

