

SPECIFICATIONS - Hydraflight Micro GRL

Largest lift in the smallest space

Low headroom 2700 mm

Low pit 300mm

3 Phase 420 volt and single phase 220 volt options

Ropes: 4x6, 5ø

Superior quality and performance

Speed: 0.62m/s

Low power consumption

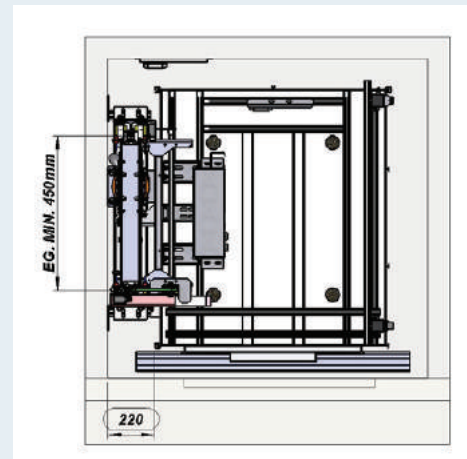
Load: 180kg-480kg

Traction: 2:1

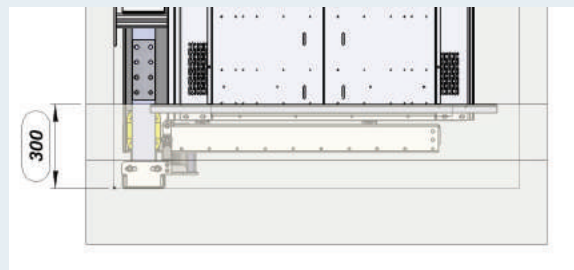
Custom car finishing

Standards

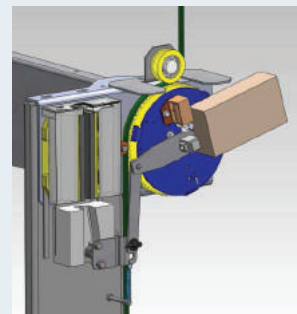
- EN81 - 2:1998
- EN81 - 2:2001/A2
- EN81 - 21:2009
- EC EXAMINATION



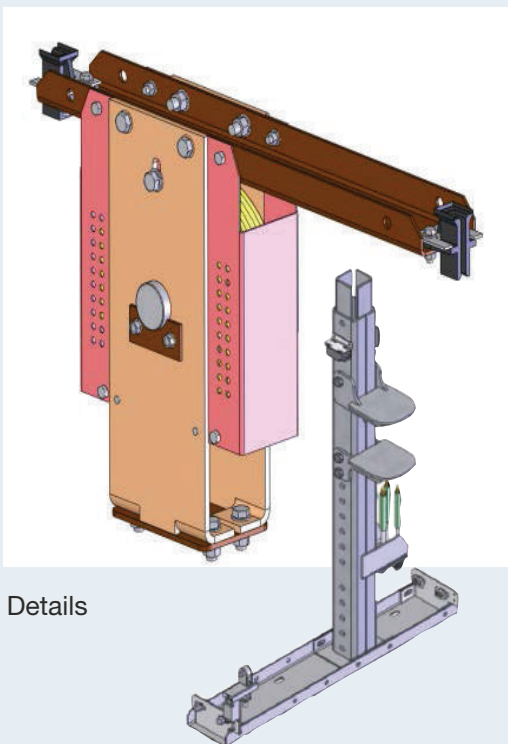
Tank with electronic valve



Low pit 300mm



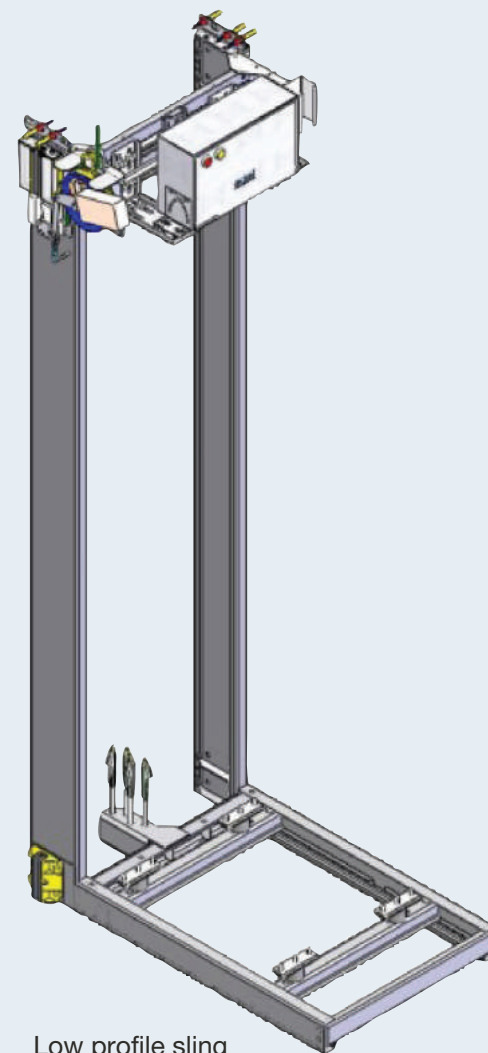
Overspeed governor with toothed belt



Details



Controller in door frame



Low profile sling for reduced pit

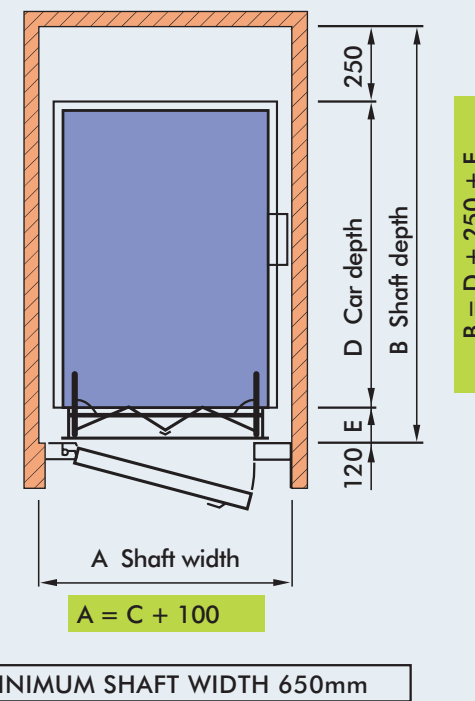
SHAFT DIMENSIONS

KEY

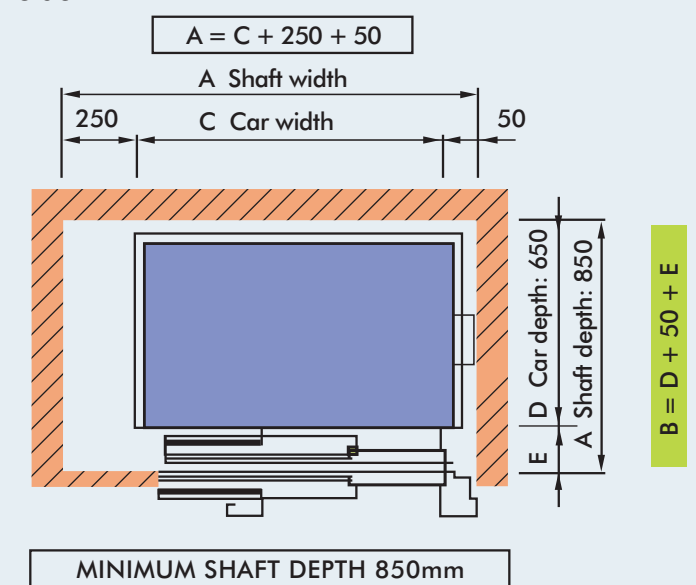
Shaft	Interior Car	Act.	S
A x B (mm)	C x D (mm)	2:1	1M/S

Headroom: 2700mm Pit: 1100mm/300mm

Back

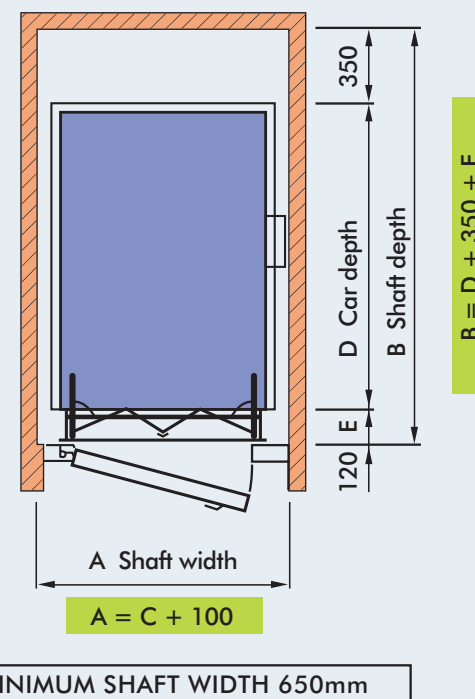


Side



Headroom: 2700mm Pit: 1100mm/300mm

Back



Side

